



## jGun® DIGITAL Single Speed Pneumatic Torque Tool DJ-6.5

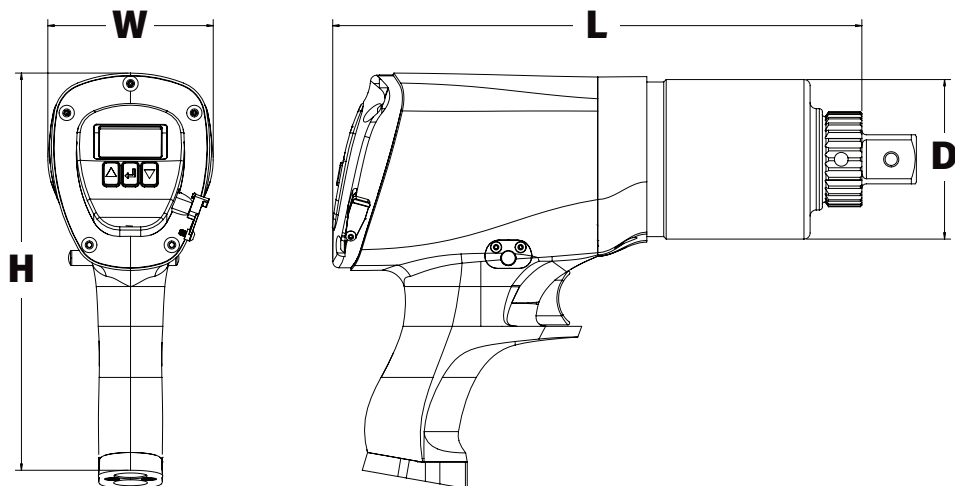
HYTORC's jGun DIGITAL Single Speed Pneumatic Torque Tool DJ-6.5 edition gearbox is designed to fit into tight spaces while providing the highest levels of torque needed. The addition of a whip hose with a locking air regulator increases the tool flexibility without the need for conventional Filter/Regulator/Lubrication (FRL) systems.

### FEATURE LIST

- Capacity up to 6,500 ft-lbs
- Rugged planetary gearbox
- Aerospace aluminum housing
- Highest power-to-weight ratio
- Ergonomic handle design
- Locking air regulator
- Digital readout
- On-board processor
- Built-In Torque Adjustment
- USB charging port
- Accurate & Repeatable Torque  $\pm 5\%$
- Directional switch with built-in safety
- Standard square drive with concentric spline
- Adjustable torque output with max power at 90 PSI
- Compatible with HYTORC Nut
- Compatible with HYTORC Washer

### OPTIMIZED FOR TOWER CRANE OPERATIONS





**LEGEND:** H = HEIGHT W = WIDTH L = LENGTH D = OUTER DIAMETER OF GEARBOX

MODEL NUMBER	H	W	L	D	SQUARE DRIVE	WEIGHT	TORQUE		RPM
<b>IMPERIAL</b>	in.					lbs.	ft-lbs (Min)	ft-lbs (Max)	
<b>JGUN-D6.5</b>	8.64	3.37	14.56	3.99	1-1/2	21.95	2,300	6,500	2.4
<b>METRIC</b>	mm				in.	kg	Nm (Min)	Nm (Max)	<b>RPM</b>
<b>JGUN-D6.5</b>	219	86	370	101	38	9.95	3118	8813	2.4

The World's Most Trusted Industrial Bolting Systems

HYTORC owns all content, copyrights, trademarks and patents in this document. © 2021 HYTORC. Any unauthorized use or distribution of any material from this document is strictly prohibited.



**Headquarters:**  
333 Route 17 N., Mahwah, NJ 07430  
+1-201-512-9500

**Email:**  
info@hytorc.com

**Phone:**  
1-800-FOR-HYTORC

**Online:**  
hytorc.com