



VECTOR MINI PUMP

The VECTOR MINI Pump is the latest addition to HYTORC's line of advanced hydraulic power packs. Based on industry-leading VECTOR pump technology, this single-port high performance pump is 25% smaller and 35% lighter, for unmatched maneuverability and portability.

MANUAL AND FULLY AUTOMATIC



The VECTOR MINI Pump is available in both manual and fully automatic. Modular design allows the manual version to be upgraded to fully automatic as needed. The optional documentation feature allows complete job data capture for the entire bolting operation.

TOOL PARAMETERS PRE-LOADED

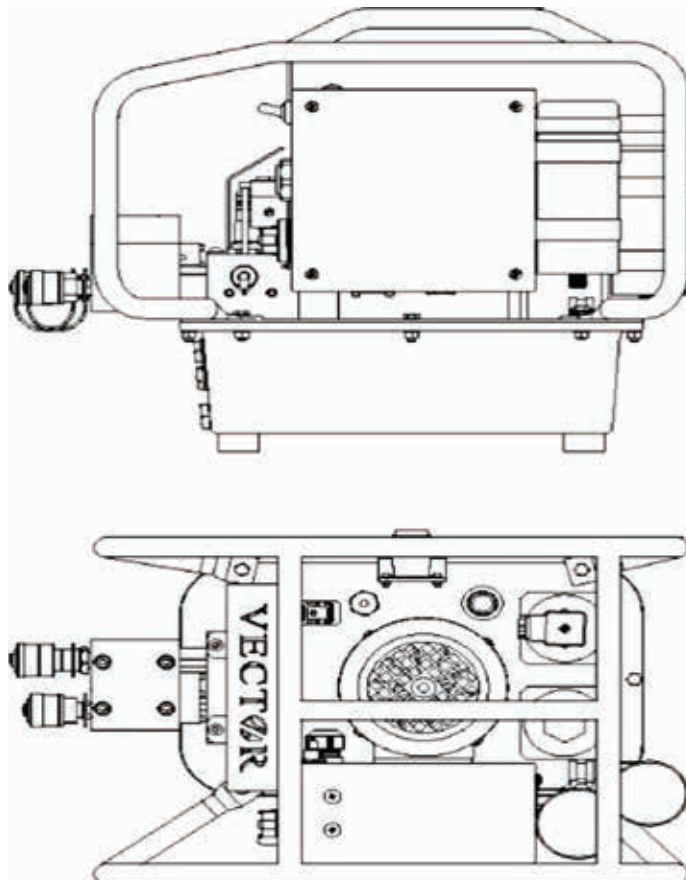


Tool parameters are pre-loaded, saving setup time and eliminating the need for separate torque charts. Simply select the tool and target torque on the pendant LCD screen. Easy-to-follow guided instructions minimize the chance of operator error.

FAST 3-STAGE PUMP DESIGN



With its innovative 3-stage design, the VECTOR MINI Pump is the fastest compact pump on the market. Capable of producing up to 10,000 psi, it has the power to get the job done fast.



PUMP SPECIFICATIONS AND FEATURES

Power	115v and 230v	
Data Recording	Optional	
Gauge	(Not necessary but can be attached to the side of the valve block.)	
Reservoir Capacity	.7 gals. / 2.7 l	
Stages	3	
Weight	48 lbs. / 22 kg (Manual) 52 lbs. / 23 kg (Automatic)	
Maximum Oil Flow Rate	50 Hz 580 PSI 40 bar 250 cu. in./min. 4.05 l/min.	60 Hz 330 cu. in./min. 5.4 l/min.
Middle Oil Flow Rate	50 Hz 2,175 PSI 150 bar 80 cu. in./min. 1.3 l/min.	60 Hz 91 cu. in./min. 1.5 l/min.
High Oil Flow Rate	50 Hz 10,000 PSI 700 bar 26 cu. in./min. 0.4 l/min.	60 Hz 31 cu. in./min. 0.5 l/min.
15' Remote control	Yes	

COMPLETE KIT CONTENTS

- VECTOR MINI Pump
- 15' Twin Line Hose
- 1 gallon / 3.8 l of oil

HYTORC owns all content, copyrights, trademarks and patents in this document. © 2022 HYTORC. Any unauthorized use or distribution of any material from this document is strictly prohibited.



Headquarters:
333 Route 17 N., Mahwah, NJ 07430
+1-201-512-9500

Email:
info@hytorc.com

Phone:
1-800-FOR-HYTORC

Online:
hytorc.com