



AVANTI® Hydraulic Torque Wrench

The **AVANTI** Hydraulic Torque Wrench is the largest HYTORC tool. It offers the widest range of torque output, with a maximum of more than 130,000 ft.-lbs (187683 Nm). Having been used for two decades by industry professionals, the AVANTI has years of proven performance.

REACTION DRIVE



The AVANTI features a patented industry-first reaction drive that eliminates the destructive twisting force that occurs in other torque wrenches that have a back-end reaction arm.

TORQUE & ANGLE DIAL

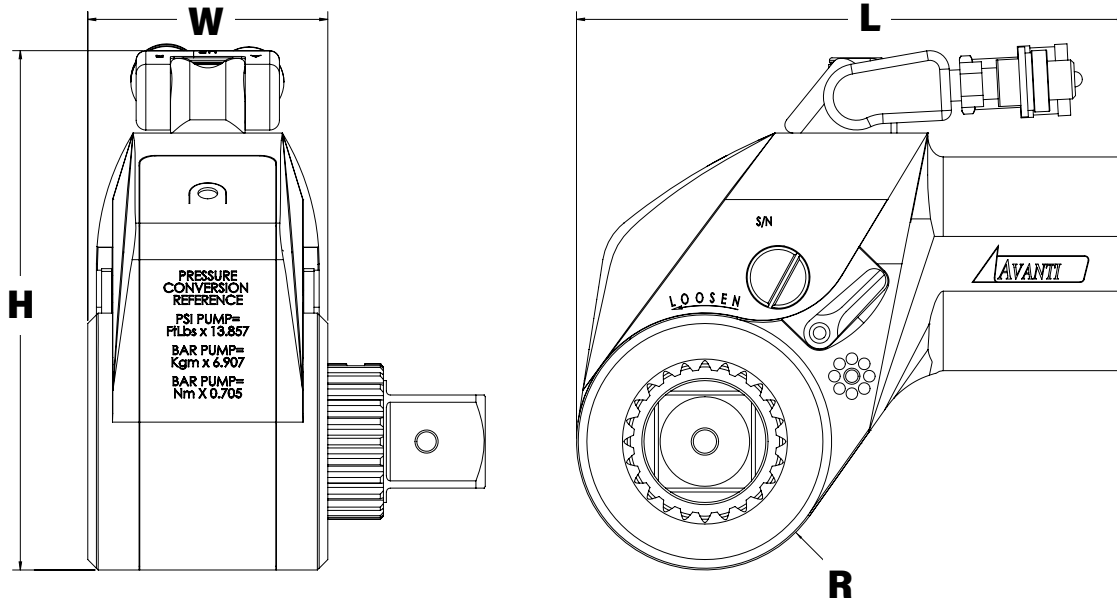


Users get a clear angle reading for each application during all bolting sessions that incorporate turn-of-the-nut.

MULTI-USE SYSTEM



AVANTI works with conventional bolting equipment as well as the HYTORC Nut (1) and HYTORC Washer (2), making bolting applications safer, faster, and more accurate.



LEGEND: H = HEIGHT W = WIDTH L = LENGTH R = RADIUS

MODEL NUMBER	H	W	L	R	SQUARE DRIVE	WEIGHT	TORQUE	
IMPERIAL	in.					lbs.	ft-lbs (Min)	ft-lbs (Max)
AVANTI - .7	4.19	1.79	4.14	0.99	3/4	3.10	115	767
AVANTI - 8	7.90	3.86	8.24	1.94	1-1/2	20.75	1,150	7,760
AVANTI - 20	10.22	5.07	10.94	2.60	2-1/2	47.70	2,760	17,890
AVANTI - 35	12.22	6.23	13.45	3.19	2-1/2	82.75	4,905	31,830
AVANTI - 50	13.90	7.04	15.54	3.95	2-1/2	127.70	7,202	46,126
AVANTI - 80	16.84	7.49	19.52	4.69	3-1/2	280.50	11,965	85,695
AVANTI - 130	19.40	8.50	22.73	5.31	3-1/2	585.00	19,395	138,510

METRIC	mm				in.	kg	Nm (Min)	Nm (Max)
AVANTI - .7	106	45	105	25	3/4	1.41	156	1039
AVANTI - 8	201	98	209	49	1-1/2	9.43	1558	10515
AVANTI - 20	260	129	278	66	2-1/2	21.68	3740	24241
AVANTI - 35	310	158	342	81	2-1/2	37.61	6646	43130
AVANTI - 50	353	179	395	100	2-1/2	58.05	9759	62501
AVANTI - 80	428	190	496	119	3-1/2	127.50	16213	116118
AVANTI - 130	493	216	577	135	3-1/2	265.91	26280	187683

The World's Most Trusted Industrial Bolting Systems

HYTORC owns all content, copyrights, trademarks and patents in this document. © 2023 HYTORC. Any unauthorized use or distribution of any material from this document is strictly prohibited.



Headquarters:
333 Route 17 N., Mahwah, NJ 07430
+1-201-512-9500

Email:
info@hytorc.com

Phone:
1-800-FOR-HYTORC

Online:
hytorc.com